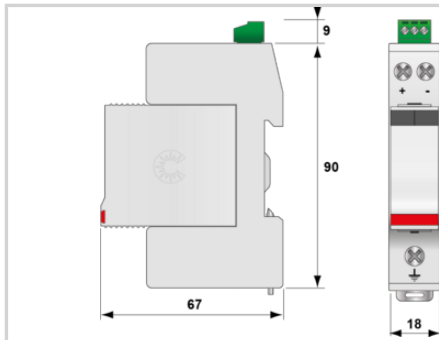


## DS240S-95DC



- MOV Technology
- UL1449 Type 4CA
- 40kA Surge Current Rating per module
- Visual fault indicator and remote contacts
- 10-Year warranty

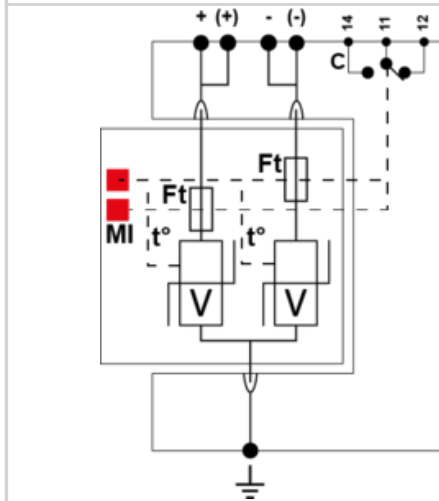


Electrical Characteristics		
Max. load current	IL	20 A
Total Maximum discharge current max. total withstand @ 8 /20 μs	I <sub>max</sub> Total	80 kA
Protection mode(s)		Common mode/Differential mode
Protection level +/-PE (-/PE)@ In (8/20μs)	U <sub>p</sub>	450 V
POWER SPD TYPE		IEC Type 2
VOLTS	(V)	95
AC/DC/DC PV/RF		DC
PHASE	(PH)	-
AMPS	(A)	n/a
AMBIENT MIN	(C)	-40
AMBIENT MAX	(C)	+85
MODES		DC+G or DC-G
IN15 impulses 8/20μs	(kA)	20
SCCR	(kA)	n/a
IMAX8/20μs	(kA)	40

Mechanical Characteristics		
Outdoor application		No
TECHNOLOGY		MOV
NETWORK CONFIGURATION		2W+G
CONNECTION METHOD		Screw Terminal (8-12AWG)
MOUNTING		DIN RAIL
MATERIAL		Thermoplastic UL94-V0
NEMA RATING (IP RATING)		NEMA 2 (IP20)
FAIL-SAFE BEHAVIOR		Disconnection via fuse-link
REAL-TIME DIAGNOSTICS		Visual indicator and remote contacts
DIMENSIONS		See diagram (mm)
WEIGHT		0.30 lbs

Standards		
UL STANDARD		UL1449 5th Edition
UL CATEGORY		VZCA2, VZCA8
UL FILE NUMBER		E326289
STANDARDS		IEC 61643-11, NOM-003-SCFI-2014, NOM-001-SCFI-1993
ENVIRONMENTAL STANDARDS		ROHS

Part number		
		310311



V: High-energy varistor  
 Ft: Thermal fuse  
 C: Remote signal contact  
 t\*: Thermal disconnection system  
 MI: Disconnection indicator